

ELPI ACCESSORY **ELECTRICAL FILTER STAGE**

ELPI + filter with electrical detection

extends size range below 30 nm !

covers size range app. from 10 to 30 nm

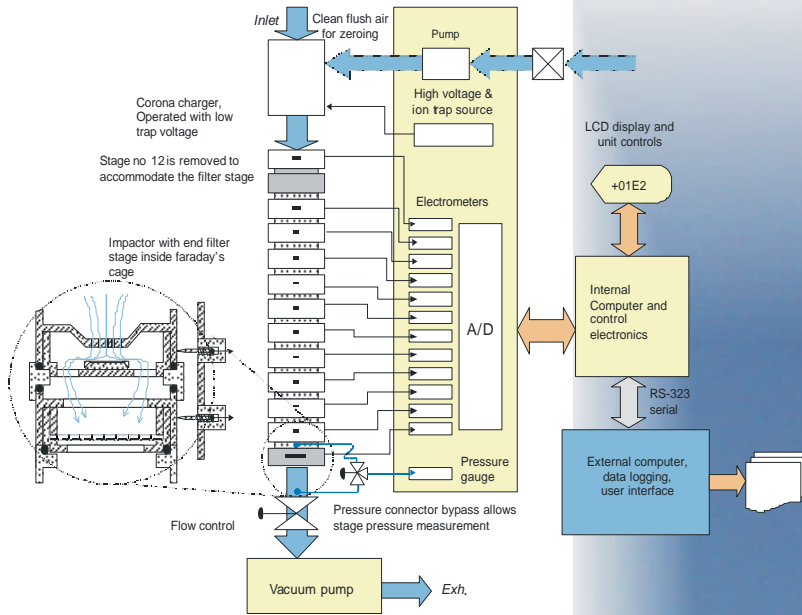
real time data from filter stage

small Dp, >low filter loading

use of existing electrometer > easy upgrade

stage no 12 (upmost) removed (replaceable)

Configuration

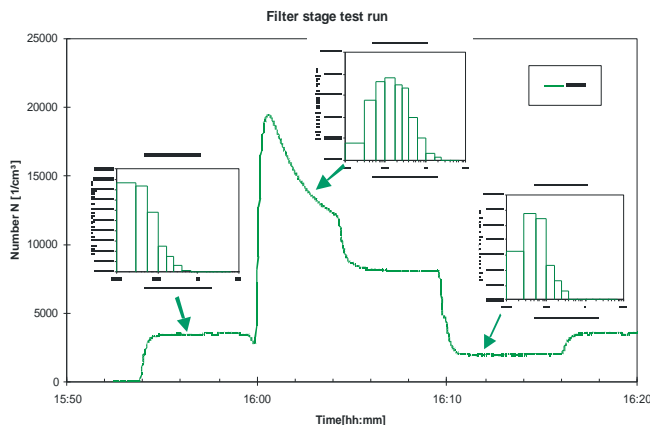


For existing users

Factory Installation at Dekati

- Stage 12 removed
- New pressure measurement connector
- Connector valve & controls installed inside ELPI unit
- Software upgrade
 - Trap OFF measurement
 - Trap OFF charger efficiency
 - Valve control via AUX control
- Reversible = use either with or without the Electrical Filter Stage

ELPI Service packet



All data are subject to change without notice



TSI Incorporated
 P.O. Box 64394, St. Paul, MN 55164, USA
 tel: 651-490-2833 e-mail: particle@tsi.com web: www.tsi.com

ELECTRICAL FILTER STAGE